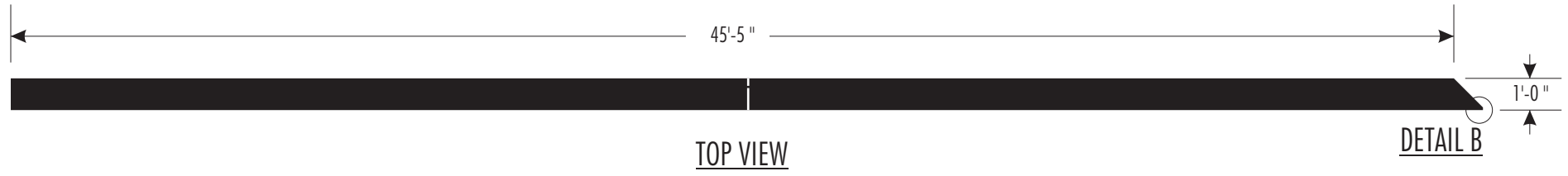
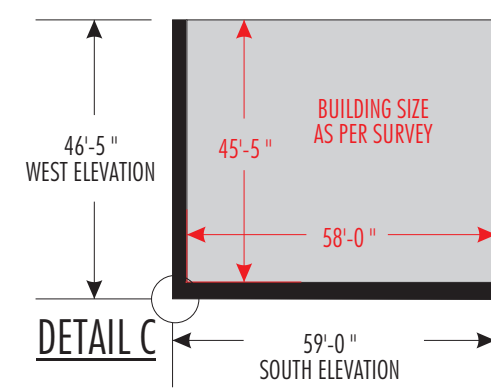
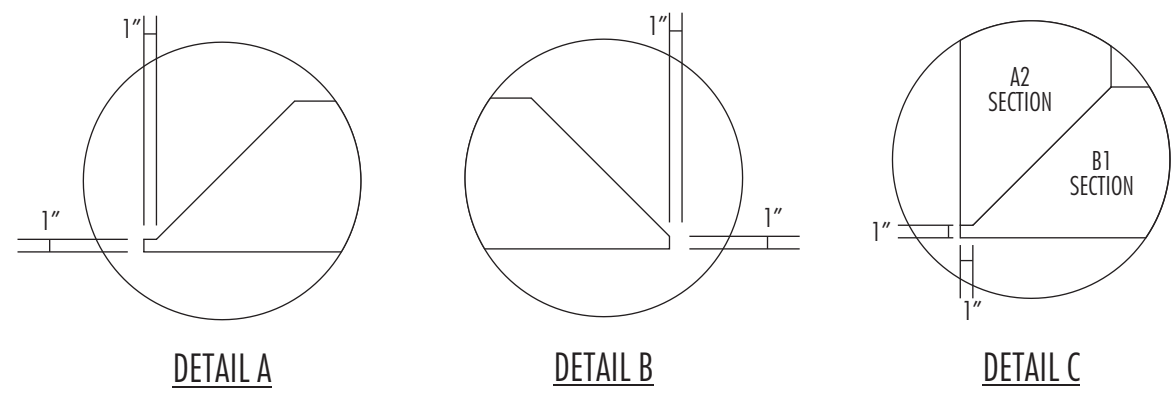
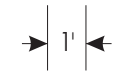




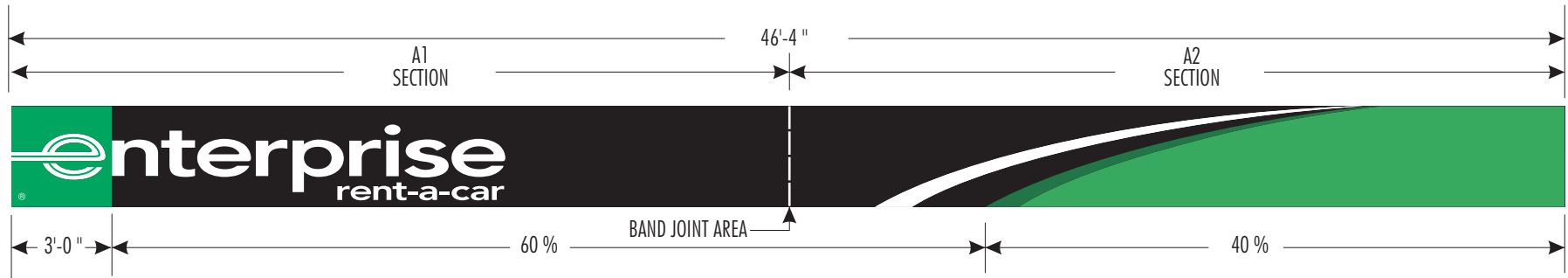
NIGHT ILLUMINATION VIEW WITH DOWN LIGHTING  
NO WHITE ACCENT BAND INCLUDED



FASCIA DEPT

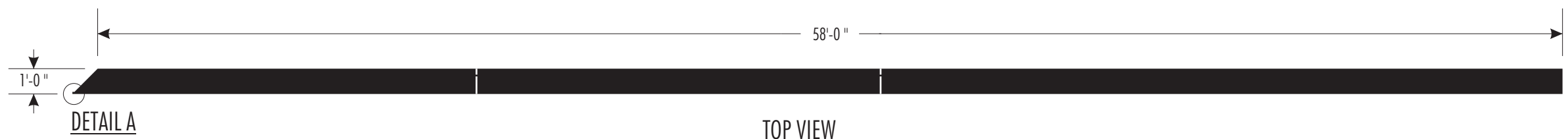


SIDE VIEW

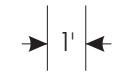


WEST ELEVATION

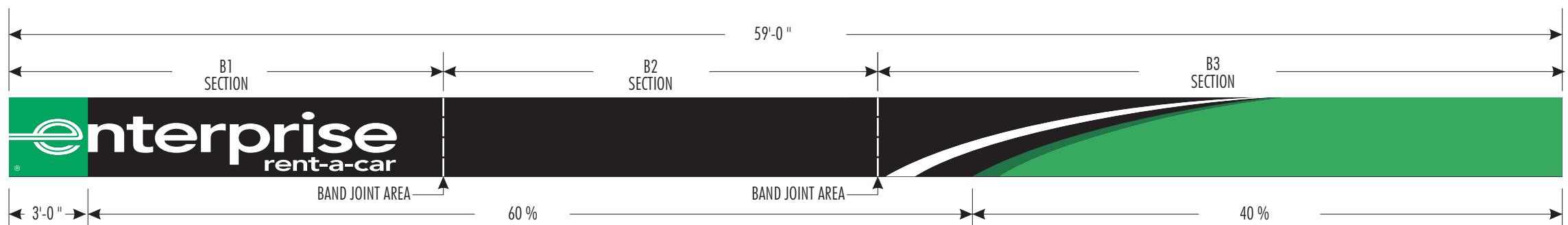
139.25 SQ. FT.



FASCIA DEPT



SIDE VIEW



SOUTH ELEVATION

177.0 SQ. FT.

WEST ELEVATION BAND SECTIONS

DESCRIPTION	QTY
A1 3'-0" X 23' - 2 1/2"	1
A2 3'-0" X 23' - 1 1/2"	1

SOUTH ELEVATION BAND SECTIONS

DESCRIPTION	QTY
B1 3'-0" X 16' - 6"	1
B2 3'-0" X 16' - 6"	1
B3 3'-0" X 26' - 0"	1

TOTAL SQUARE FOOTAGE = 316.25 SQ. FT.

REVISION HISTORY:

REV	DATE	REQUESTED BY	UPDATED BY

REVISION DESCRIPTION

PARTS LIST:

ITEM	DECORATION
A	ARLON 3227 GREEN VINYL
B	ARLON 3225 DK GREEN VINYL
C	ARLON 2881 BLACK VINYL
D	WHITE EXPOSED SUBSTRATE

**SignResource**  
Building your corporate identity... always on target

6135 District Blvd. • Maywood, CA 90270  
800.423.4283 • Fax 323.560.7143  
Website: www.signresource.com

GENERAL NOTES

- TOLERANCE ( UNLESS NOTED )
  - GRAPHICS +/- 1/8" • FACE SIZE + 1/16" - 1/4"
  - CABINET +/- 1/8" • VINYL OVERLAP + 1/8" + 1/16"
  - ALL COPY LEVEL UNLESS NOTED OTHERWISE
- VIEWING DISTANCE 25' TO 50' UNLESS NOTED OTHERWISE
- PMS COLOR CALLOUT INDICATES USE OF SPRAYLAT MIX SYSTEM
- NO DEVIATION OR MATERIAL SUBSTITUTION WITHOUT EQN.
- ALL ELECTRICAL SIGNS TO COMPLY WITH UL 48

DESCRIPTION  
**3' ILLUMINATED FASCIA BAND WITH DOWN LIGHTING**

VOLTAGE:	CIRCUIT:	CURRENT:	DESIGN LOAD:
DRAWN BY:	CHECKED BY:		
CLIENT:			
LOCATION:			
DATE:			

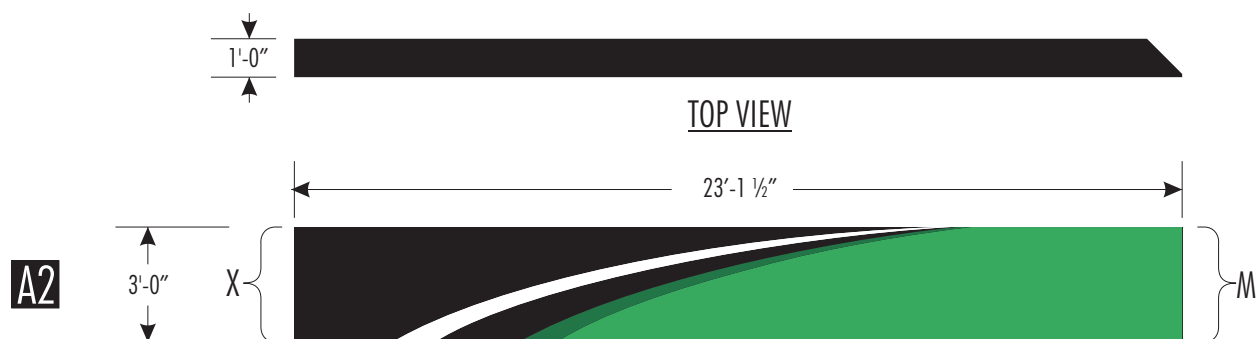
DRAWING/PART #	REV	SHEET #
EEGG0068	C	1 OF 3

This document reflects trade secrets and confidential business information, and may not be copied, published, or disseminated in any manner without the prior express written approval of SignResource. All rights reserved, including patent, trademark and copyright.

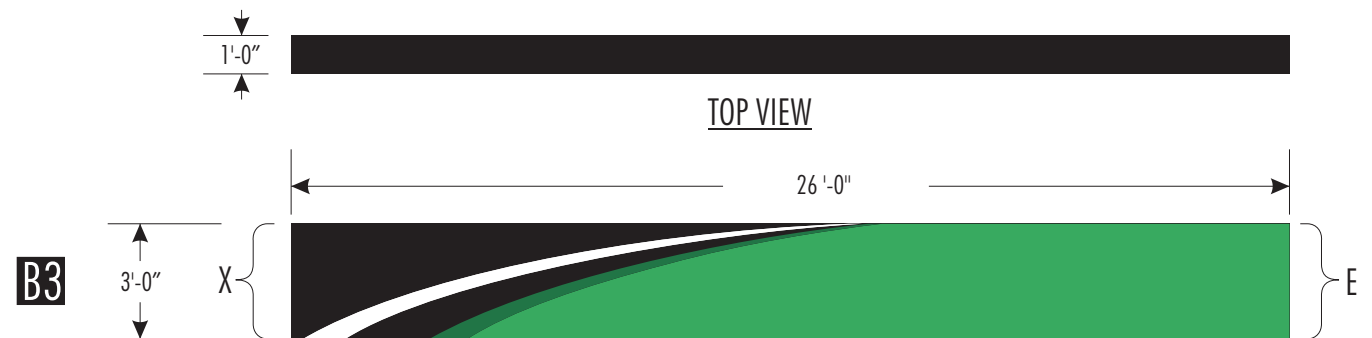
**SAMPLE**

**LEGEND**

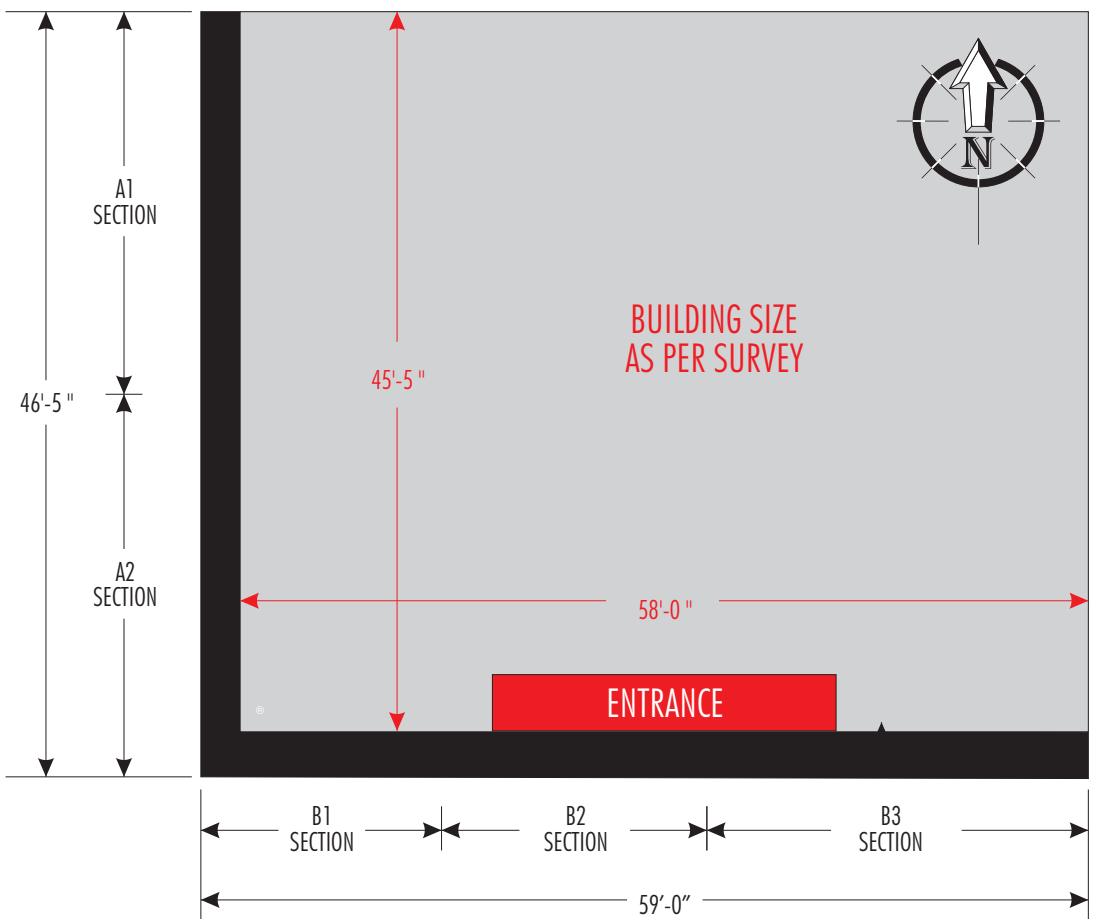
M	MITER
X	STRAIGHT CONNECTION
E	END CAP



**WEST ELEVATION**



**SOUTH ELEVATION**



**PLAN VIEW**  
N.T.S

**WEST ELEVATION BAND SECTIONS**

	DESCRIPTION	QTY
A1	3'- 0" X 23' - 2 1/2"	1
A2	3'- 0" X 23' - 1 1/2"	1

**SOUTH ELEVATION BAND SECTIONS**

	DESCRIPTION	QTY
B1	3'- 0" X 16' - 6"	1
B2	3'- 0" X 16' - 6"	1
B3	3'- 0" X 26' - 0"	1

**TOTAL SQUARE FOOTAGE = 316.25 SQ. FT.**

**REVISION HISTORY:**

REV	DATE	REQUESTED BY	UPDATED BY

**PARTS LIST:**

ITEM	DECORATION
A	ARLON 3227 GREEN VINYL
B	ARLON 3225 DK GREEN VINYL
C	ARLON 2881 BLACK VINYL
D	WHITE EXPOSED SUBSTRATE

**SignResource**  
Building your corporate identity... always on target

6135 District Blvd. • Maywood, CA 90270  
800.423.4283 • Fax 323.560.7143  
Website: www.signresource.com

**GENERAL NOTES**

- TOLERANCE ( UNLESS NOTED )
  - GRAPHICS +/- 1/8" • FACE SIZE + 1/16" - 1/4"
  - CABINET +/- 1/8" • VINYL OVERLAP + 1/8" + 1/16"
  - ALL COPY LEVEL UNLESS NOTED OTHERWISE
- VIEWING DISTANCE 25' TO 50' UNLESS NOTED OTHERWISE
- PMS COLOR CALLOUT INDICATES USE OF SPRAYLAT MIX SYSTEM
- NO DEVIATION OR MATERIAL SUBSTITUTION WITHOUT EQN.
- ALL ELECTRICAL SIGNS TO COMPLY WITH UL 48

DESCRIPTION  
**3' ILLUMINATED FASCIA BAND WITH DOWN LIGHTING**

VOLTAGE:	CIRCUIT:	CURRENT:	DESIGN LOAD:
DRAWN BY:	CHECKED BY:		
CLIENT:			
LOCATION:			
DATE:			

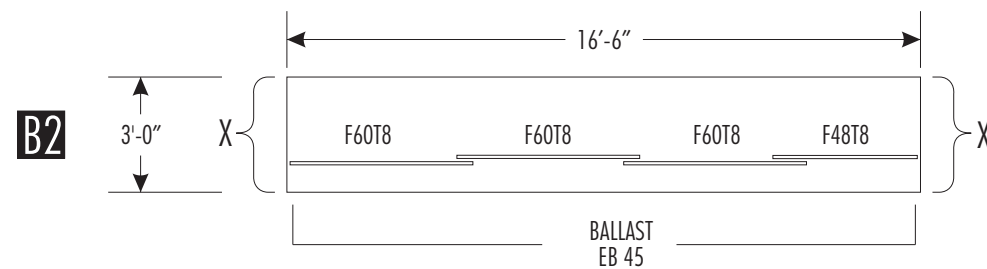
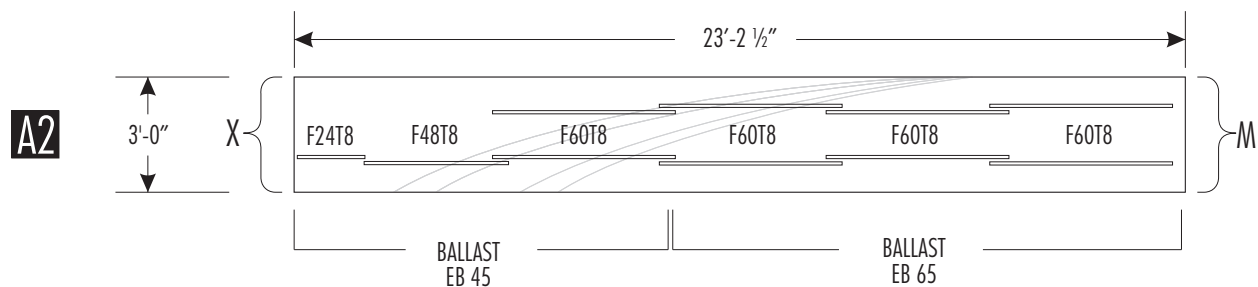
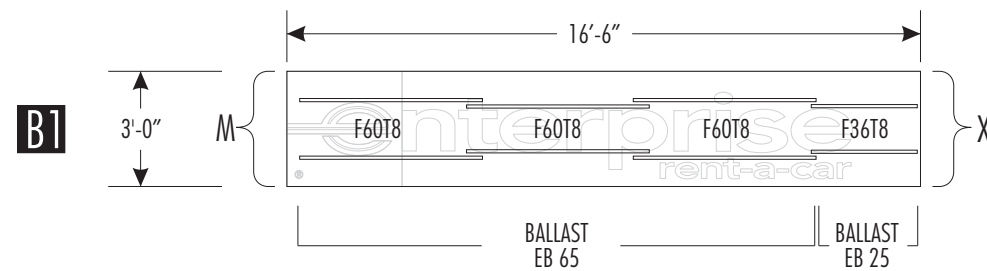
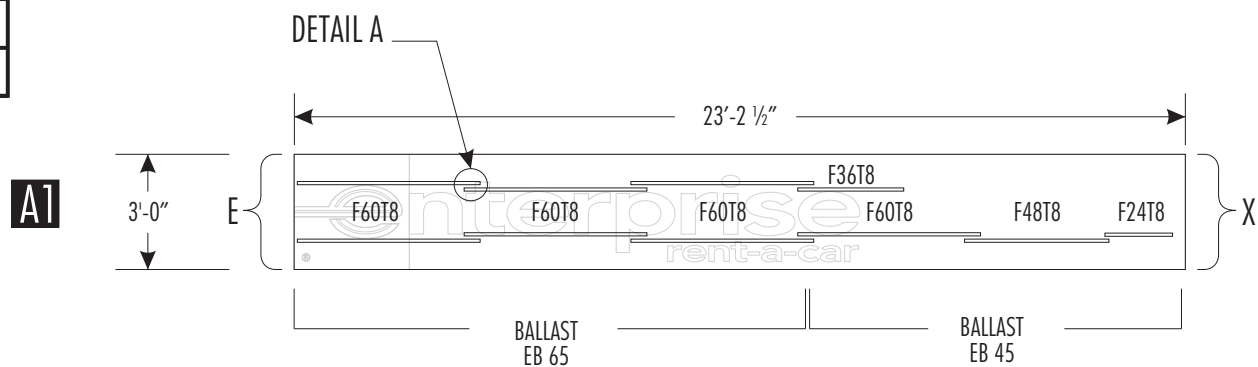
DRAWING/PART #	REV	SHEET #
EEGG0068	C	2 OF 3

This document reflects trade secrets and confidential business information, and may not be copied, published, or disseminated in any manner without the prior express written approval of SignResource. All rights reserved, including patent, trademark and copyright.

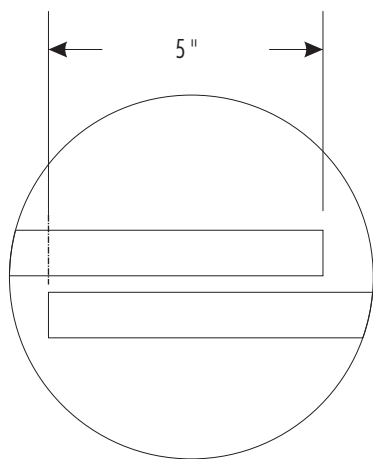
**SAMPLE**

**LEGEND**

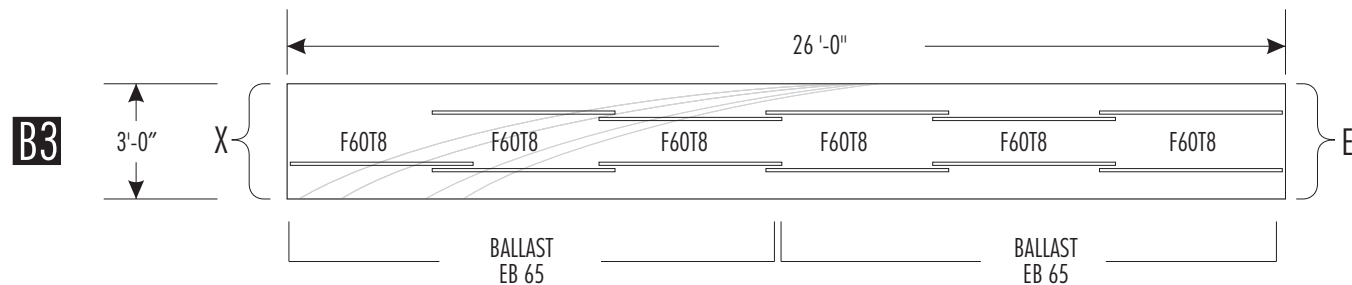
M	MITER
X	STRAIGHT CONNECTION
E	END CAP



**WEST ELEVATION**



**DETAIL A**



**SOUTH ELEVATION**

**WEST ELEVATION BAND SECTIONS**

	DESCRIPTION	QTY
A1	3'- 0" X 23' - 2 1/2"	1
A2	3'- 0" X 23' - 1 1/2"	1

**SOUTH ELEVATION BAND SECTIONS**

	DESCRIPTION	QTY
B1	3'- 0" X 16' - 6"	1
B2	3'- 0" X 16' - 6"	1
B3	3'- 0" X 26' - 0"	1

**TOTAL SQUARE FOOTAGE=316.25 SQ. FT.**

**REVISION HISTORY:**

REV	DATE	REQUESTED BY	UPDATED BY

REVISION DESCRIPTION

--

**PARTS LIST:**

ITEM	DECORATION
A	ARLON 3227 GREEN VINYL
B	ARLON 3225 DK GREEN VINYL
C	ARLON 2881 BLACK VINYL
D	WHITE EXPOSED SUBSTRATE

**MATERIAL LIST**

**1** FLEXIBLE FACE

6135 District Blvd. • Maywood, CA 90270  
800.423.4283 • Fax 323.560.7143  
Website: www.signresource.com

**GENERAL NOTES**

- TOLERANCE ( UNLESS NOTED )
  - GRAPHICS +/- 1/8" • FACE SIZE + 1/16" - 1/4"
  - CABINET +/- 1/8" • VINYL OVERLAP + 1/8" + 1/16"
  - ALL COPY LEVEL UNLESS NOTED OTHERWISE
- VIEWING DISTANCE 25' TO 50' UNLESS NOTED OTHERWISE
- PMS COLOR CALLOUT INDICATES USE OF SPRAYLAT MIX SYSTEM
- NO DEVIATION OR MATERIAL SUBSTITUTION WITHOUT EQN.
- ALL ELECTRICAL SIGNS TO COMPLY WITH UL 48

DESCRIPTION  
**3' ILLUMINATED FASCIA BAND WITH DOWN LIGHTING**

VOLTAGE:      CIRCUIT:      CURRENT:      DESIGN LOAD:

DRAWN BY:      CHECKED BY:

CLIENT:

LOCATION:

PROJECT:

DATE:

DRAWING/PART #      REV      SHEET #

EEGG0068      C      3 OF 3

This document reflects trade secrets and confidential business information, and may not be copied, published, or disseminated in any manner without the prior express written approval of SignResource. All rights reserved, including patent, trademark and copyright.

**SAMPLE**