

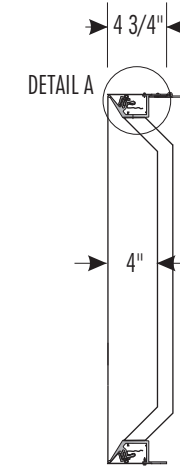
THIS PART # AND DRAWING FOR QUOTATION PURPOSE ONLY
DO NOT USE FOR MANUFACTURING

REVISION HISTORY:

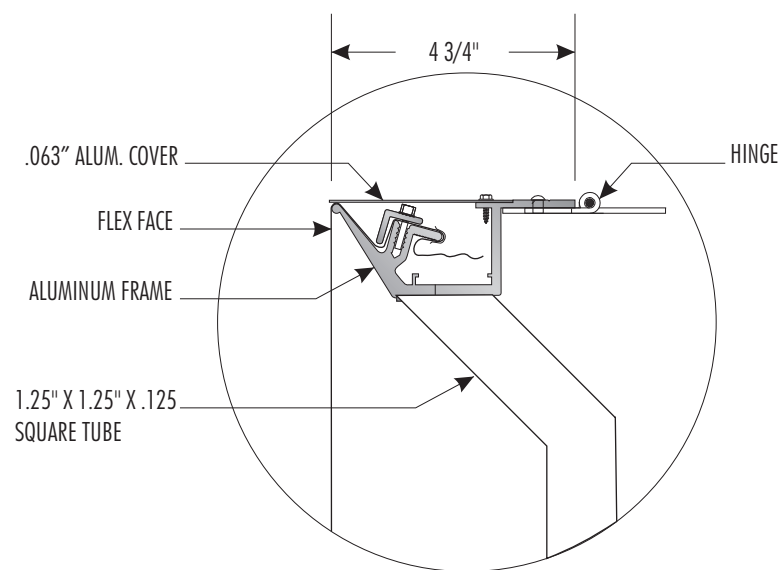
REV	DATE	REQUESTED BY	UPDATED BY
REVISION DESCRIPTION			



FRONT VIEW
FRAME TO FIT CABINET 3'-0" X 15'-0"



SECTION VIEW A-A



DETAIL A

NOTE: PRE-STRETCHED FACE ON FRAME

PARTS LIST:

ITEM	DECORATION
A	ARLON 3227 GREEN VINYL
B	ARLON 2881 BLACK VINYL
C	WHITE EXPOSED SUBSTRATE
D	

MATERIAL LIST	
1	FLEXIBLE FACE
2	
3	
4	
5	

FIRST SURFACE DECORATION

GENERAL NOTES

- TOLERANCE (UNLESS NOTED)
 - GRAPHICS +/- 1/8" • FACE SIZE + 1/16" - 1/4"
 - CABINET +/- 1/8" • VINYL OVERLAP + 1/8" +/- 1/16"
 - ALL COPY LEVEL UNLESS NOTED OTHERWISE
- VIEWING DISTANCE 25' TO 50' UNLESS NOTED OTHERWISE
- PMS COLOR CALLOUT INDICATES USE OF SPRAYLAT MIX SYSTEM
- NO DEVIATION OR MATERIAL SUBSTITUTION WITHOUT ECN.
- ALL ELECTRICAL SIGNS TO COMPLY WITH UL 48

DESCRIPTION			
3'-0" X 15'-0" R/F PRE-STRETCHED ON FRAME			
VOLTAGE:	CIRCUIT:	CURRENT:	DESIGN LOAD:
DRAWN BY: JUAN V.		CHECKED BY:	
CLIENT: ENTERPRISE			
LOCATION: VARIOUS			
QUOTE:	DATE:	02/12/08	
DRAWING/PART # EE315RF00	REV.	SHEET # 1 OF 1	