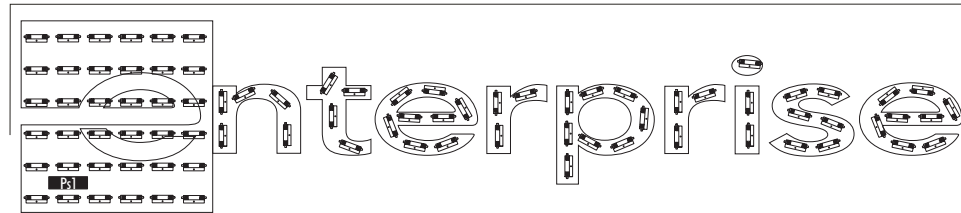




ILLUMINATION VIEW

POWER SUPPLY #1



LETTERS LAYOUT

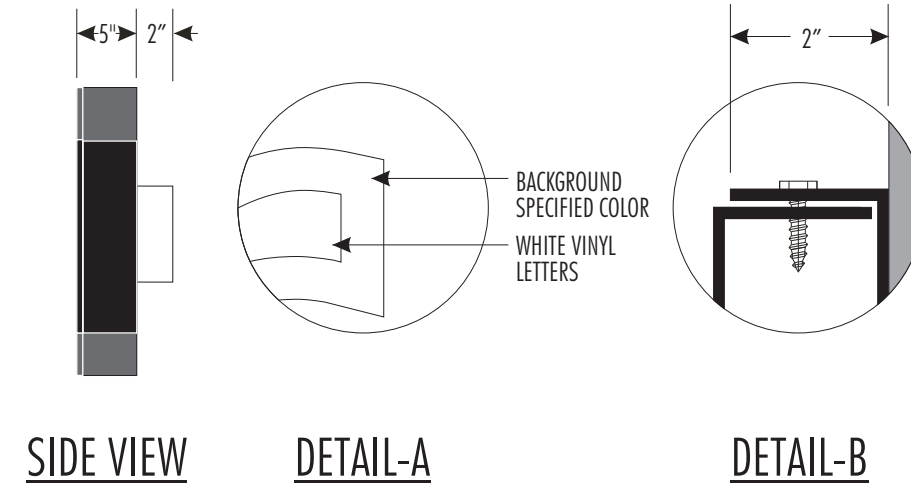
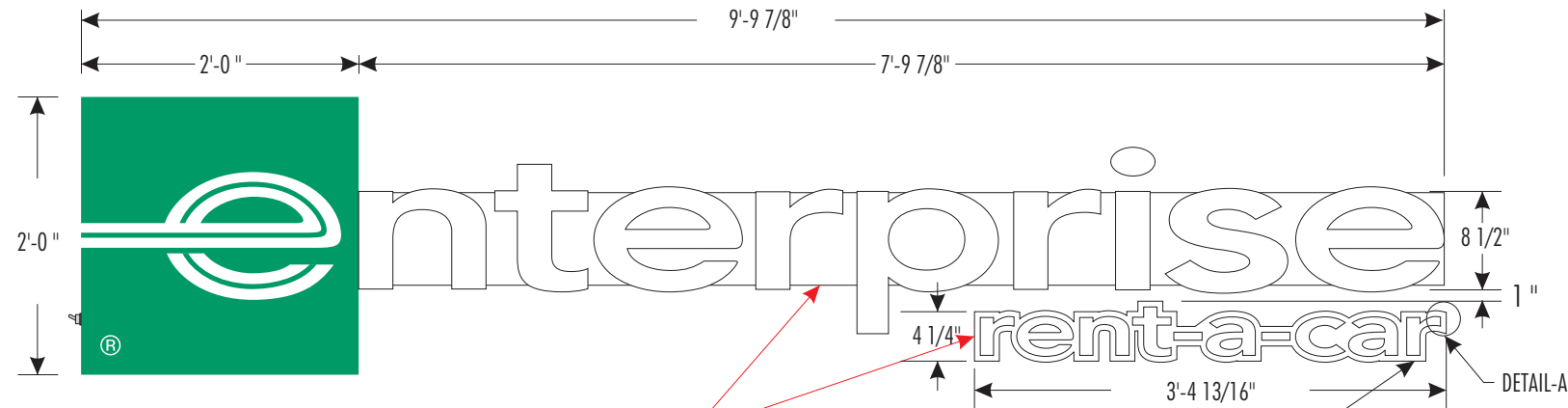
LED LIGHTS	e n t e r p r i s e	TOTAL
LENGTH OF LED	12' 2' 2' 3' 1' 3' 1' 1' 2' 3'	30 FEET
AC-DC POWER SUPPLY	POWER SUPPLY 12V, 60 WATT.	1 (QTY)
AMPS LOAD	0.70 AMPS	0.70 AMPS
CIRCUIT	15 AMP CIRCUIT	1x15AMP CIRCUIT

SignResource
Building your corporate identity...always on target
 6135 District Blvd. • Maywood, CA 90270
 800.423.4283 • Fax 323.560.7143
 Website: www.signresource.com

REVISION HISTORY:

REV A	DATE 12/13/06	REQUESTED BY BE	UPDATED BY SR
REVISION DESCRIPTION INITIAL DRAWING RELEASED			
REV B	DATE 07/20/07	REQUESTED BY MJ	UPDATED BY A.S
REVISION DESCRIPTION REVISED RACEWAY DIMENSIONS			
REV C	DATE 09/10/07	REQUESTED BY M.L	UPDATED BY A.S
REVISION DESCRIPTION ADDED TOGGLE SWITCH			

WHITE FACE FOR DARKER BACKGROUNDS



SPECIFY RACEWAY/BACKGROUND COLOR FRONT VIEW

NON-ILLUMINATED PIN MOUNT LETTERS SPECIFIED COLOR BACK WITH WHITE VINYL

SIDE VIEW

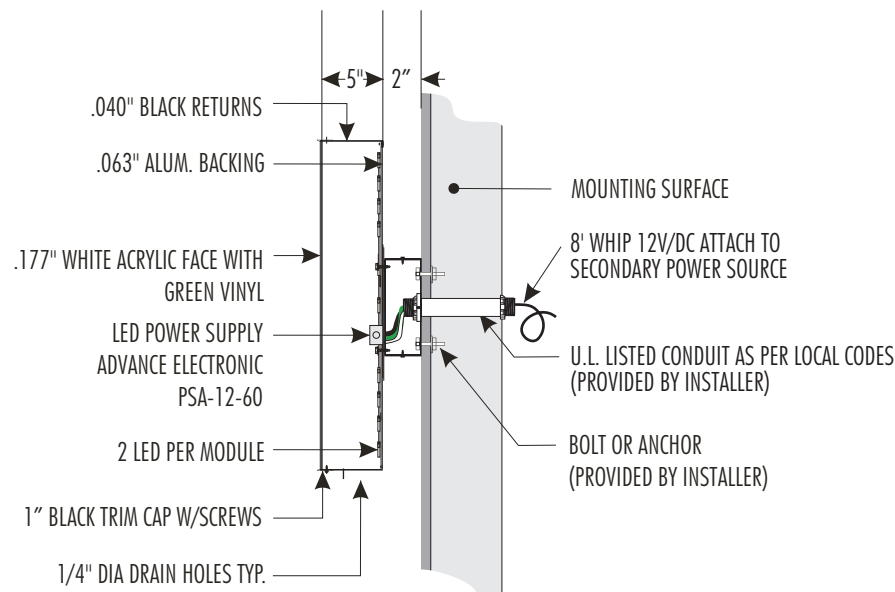
DETAIL-A

DETAIL-B

PARTS LIST:

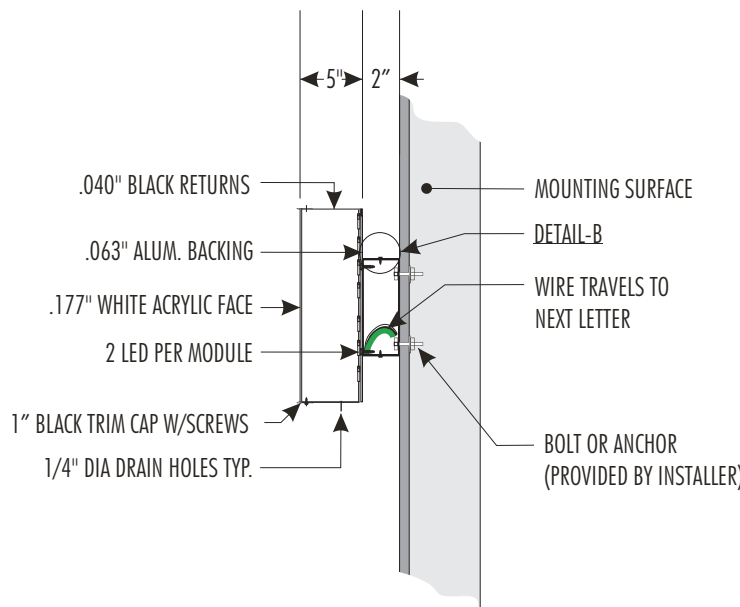
ITEM	DECORATION
A	ARLON 3227 GREEN VINYL
B	.040" x 5" RETURNS PAINTED BLACK
C	1" BLACK TRIMCAP
D	
E	
F	
MATERIAL LIST	
1	.177" WHITE ACRYLIC FACE
2	
3	
4	
5	
6	
7	
8	
9	
10	

FIRST SURFACE DECORATION



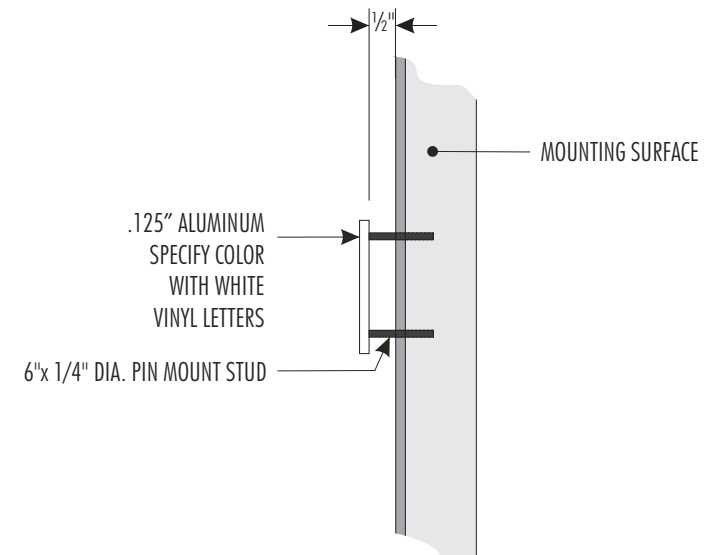
SECTION VIEW

LOGO NOT TO SCALE



SECTION VIEW

CHANNEL LETTER NOT TO SCALE



SECTION VIEW

ALUMINUM LETTER NOT TO SCALE

GENERAL NOTES

- TOLERANCE (UNLESS NOTED)
 - GRAPHICS +/- 1/8" • FACE SIZE + 1/16" - 1/4"
 - CABINET +0- 1/8" • VINYL OVERLAP + 1/8" +/- 1/16"
 - ALL COPY LEVEL UNLESS NOTED OTHERWISE
- VIEWING DISTANCE 25' TO 50' UNLESS NOTED OTHERWISE
- PMS COLOR CALLOUT INDICATES USE OF SPRAYLAT MIX SYSTEM
- NO DEVIATION OR MATERIAL SUBSTITUTION WITHOUT EGN.
- ALL ELECTRICAL SIGNS TO COMPLY WITH UL 48

CLIENT: ENTERPRISE

LOCATION: VARIOUS

DESCRIPTION: 24" CHANNEL LETTER SIGN WITH RACEWAY

DRAWN BY: R. RABADON CHECKED BY: U. GONZALEZ

VOLTAGE: 120 VOLTS CIRCUIT: [1] ONE CURRENT: .7 AMPS DESIGN LOAD: 30 PSF

QUOTE: TBD DATE: 12-13-2006

DRAWING/PART #: EE24LR00 REV: C SHEET #: 1 OF 1

19.6 SQ FT

This document reflects trade secrets and confidential business information, and may not be copied, published, or disseminated in any manner without the prior express written approval of SignResource. All rights reserved, including patent, trademark and copyright.