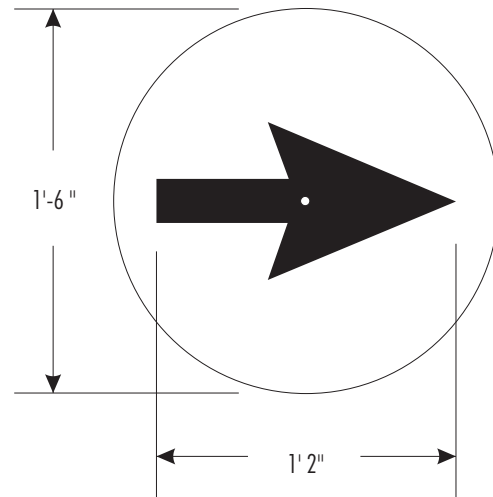


**enterprise**

**Car  
Return**

**ILLUMINATED REFLECTION VIEW**



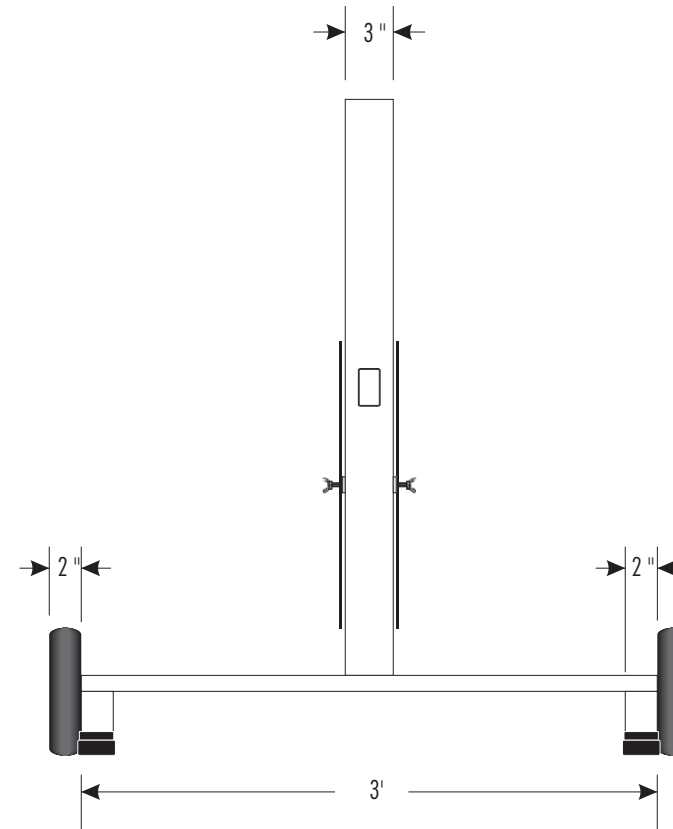
**ROTATABLE ROUND PLATE  
WITH BLACK VINYL ARROW**

# Car Return

**BLACK VINYL COPY**



**FRONT VIEW**



**SIDE VIEW**

**16.5 SQ FT**

**REVISION HISTORY:**

REV	DATE	REQUESTED BY	UPDATED BY
C	04/02/07	MARK L	UG
REVISION DESCRIPTION UPDATE GRAPHICS			
D	04/03/07	MARK L	UG
REVISION DESCRIPTION UPDATE ARROW GRAPHICS			
E	04/26/07	MJ	JV
REVISION DESCRIPTION CHANGED ARROW FROM MAGNETIC TO PLATE			
F	06/11/07	MJ	JV
REVISION DESCRIPTION REMOVED HANDLE RUBBER CAP			

**PARTS LIST:**

ITEM	DECORATION
A	PMS 347
B	BLACK VINYL
C	WHITE REFLECTIVE VINYL
D	WHITE
E	BLACK
F	
MATERIAL LIST	
1	
2	
3	
4	
5	

FIRST SURFACE VINYL APPLICATION  
STEEL CONSTRUCTION  
WITH EXTERIOR POWDER COAT

**GENERAL NOTES**

1. TOLERANCE ( UNLESS NOTED)  
• GRAPHICS +/- 1/8" • FACE SIZE + 1/16" - 1/4"  
• CABINET +/- 1/8" • VINYL OVERLAP + 1/8" + 1/16"  
• ALL COPY LEVEL UNLESS NOTED OTHERWISE
2. VIEWING DISTANCE 25' TO 50' UNLESS NOTED OTHERWISE
3. PMS COLOR CALLOUT INDICATES USE OF SPRAYLAT MIX SYSTEM
4. NO DEVIATION OR MATERIAL SUBSTITUTION WITHOUT EQ.

DESCRIPTION  
**3' X5' PORTABLE CAR RETURN SIGN**

VOLTAGE:	CIRCUIT:	CURRENT:	DESIGN LOAD:
DRAWN BY: U. GONZALEZ		CHECKED BY:	
CLIENT: ENTERPRISE			
LOCATION: VARIOUS			
QUOTE: VARIOUS	DATE: 01/29/07		
DRAWING/PART # EE0305CDP	REV F	SHEET # 1 OF 1	