

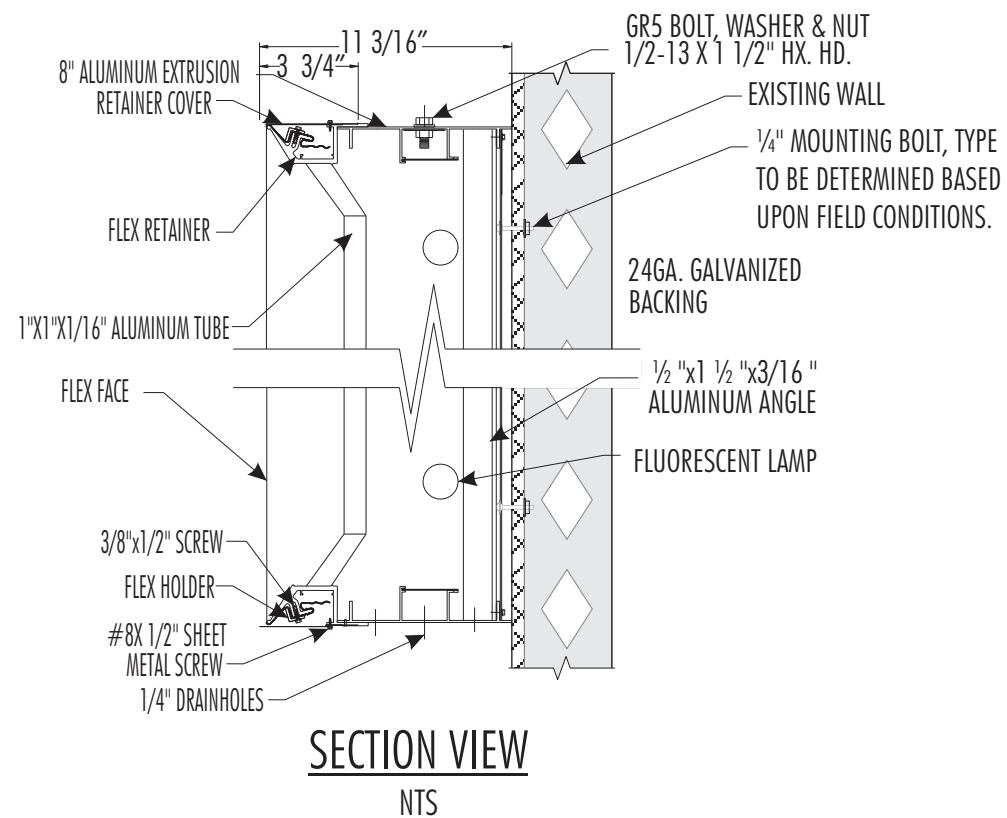


ILLUMINATION VIEW



FRONT VIEW

SIDE VIEW



REVISION HISTORY:

REV	DATE	REQUESTED BY	UPDATED BY
REVISION DESCRIPTION			

PARTS LIST:

ITEM	DECORATION
A	3632-6092 GREEN VINYL
B	3632-22 BLACK VINYL
C	
D	
MATERIAL LIST	
1	FLEXIBLE FACE
2	CABINET PAINTED BLACK
3	
4	
5	
6	
7	
8	
9	
10	

FIRST SURFACE DECORATION

GENERAL NOTES

- TOLERANCE (UNLESS NOTED)
 - GRAPHICS +/- 1/8" • FACE SIZE + 1/16" - 1/4"
 - CABINET +0- 1/8" • VINYL OVERLAP + 1/8" +/- 1/16"
 - ALL COPY LEVEL UNLESS NOTED OTHERWISE
- VIEWING DISTANCE 25' TO 50' UNLESS NOTED OTHERWISE
- PMS COLOR CALLOUT INDICATES USE OF SPRAYLAT MIX SYSTEM
- NO DEVIATION OR MATERIAL SUBSTITUTION WITHOUT EGN.
- ALL ELECTRICAL SIGNS TO COMPLY WITH UL 48

CLIENT: ENTERPRISE

LOCATION: VARIOUS

DESCRIPTION: 2' X 10' SINGLE FACE WALL SIGN

DRAWN BY: J.MORALES CHECKED BY:

VOLTAGE: 120 VOLTS CIRCUIT: [1] 20 AMP CURRENT: 2.9 AMPS DESIGN LOAD: 30 PSF

QUOTE: VARIOUS DATE: 11/22/06

DRAWING/PART # EE0210A01 REV. SHEET # 1 OF 1

20.4 SQ FT

This document reflects trade secrets and confidential business information, and may not be copied, published, or disseminated in any manner without the prior express written approval of SignResource. All rights reserved, including patent, trademark and copyright.