

**REVISION HISTORY:**

REV	DATE	REQUESTED BY	UPDATED BY

REVISION DESCRIPTION

**PARTS LIST:**

ITEM	DECORATION
A	PMS 646 LIGHT BLUE
B	PMS 137 ORANGE
C	PMS 425
D	
E	
F	
G	
H	

**MATERIAL LIST**

1	1/2" ALUMINUM PLATE
2	.125" ALUMINUM PLATE
3	
4	
5	

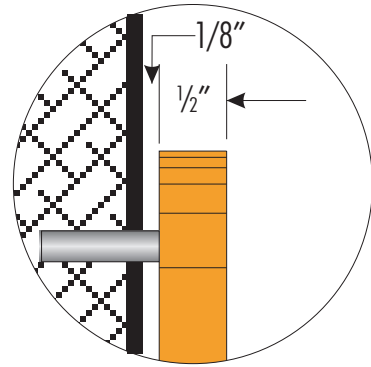
**GENERAL NOTES**

- TOLERANCE ( UNLESS NOTED)
  - GRAPHICS +/- 1/8" • FACE SIZE + 1/16" - 1/4"
  - CABINET +/- 1/8" • VINYL OVERLAP + 1/8" + 1/16"
  - ALL COPY LEVEL UNLESS NOTED OTHERWISE
- VIEWING DISTANCE 25' TO 50' UNLESS NOTED OTHERWISE
- PMS COLOR CALLOUT INDICATES USE OF SPRAYLAT MIX SYSTEM
- NO DEVIATION OR MATERIAL SUBSTITUTION WITHOUT EQN.
- ALL ELECTRICAL SIGNS TO COMPLY WITH UL 48

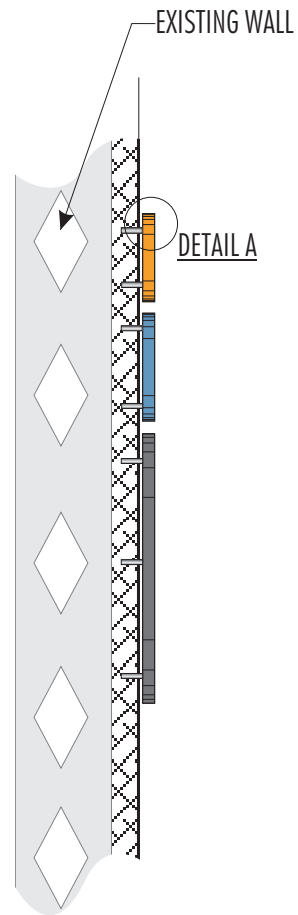
**ENTERPRISE  
INDIVIDUAL  
WALL MOUNT LETTERS**

VOLTAGE:	CIRCUIT:	CURRENT:	DESIGN LOAD:
DRAWN BY: J.MORALES		CHECKED BY:	
CLIENT: ENTERPRISE			
LOCATION: VARIOUS			
QUOTE: VARIOUS	DATE: 7/30/09		
DRAWING/PART # EEQ206PM	REV A	SHEET # 1 OF 1	

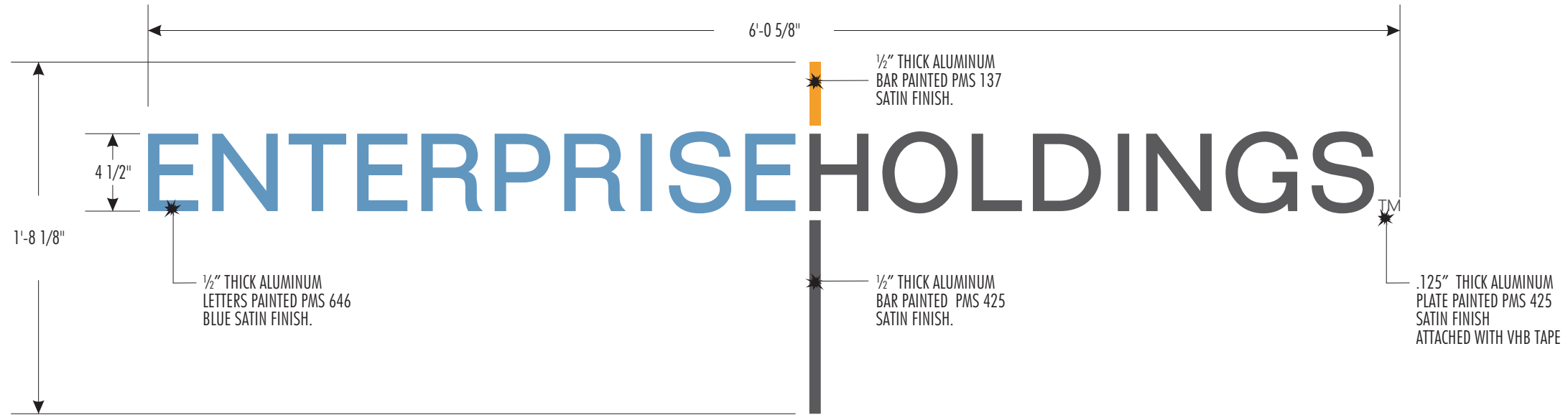
This document reflects trade secrets and confidential business information, and may not be copied, published, or disseminated in any manner without the prior express written approval of SignResource. All rights reserved, including patent, trademark and copyrights.



**DETAIL A**



**SIDE VIEW**



**FRONT VIEW**